

INPUT CHARACTERISTICS: AX2-5250F(B)-2S /5300F(B)-2S

- VOLTAGE: 90 - 132 VAC / 180 - 264 VAC SWITCHABLE
- FREQUENCY: 47 - 63 Hz
- INPUT CURRENT: 7.0 / 3.5A (115 / 230 VAC)
- INRUSH CURRENT: 30A / 60A MAX. FOR 115 / 230 VAC

OUTPUT CHARACTERISTICS:

OUTPUT VOLTAGE	OUTPUT CURRENT		REGULATION		OUTPUT RIPPLE & NOISE MAX. [P-P]
	MIN. [A]	MAX. [A]	LOAD	LINE	
5V	2.0	25	± 5%	± 1%	60mV
12V	1.0	8/12	± 6%	± 1%	120mV
-5V	0	0.5	± 5%	± 2%	150mV
-12V	0	0.5	± 10% / ± 5%*	± 2%	150mV
3.3V	2.0	14	± 5%	± 2%	50mV
+5VSB	0	1.5A	± 5%	± 5%	50mV

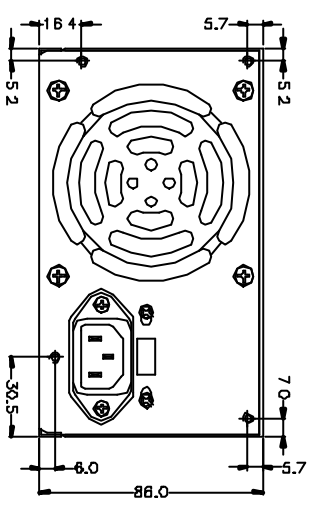
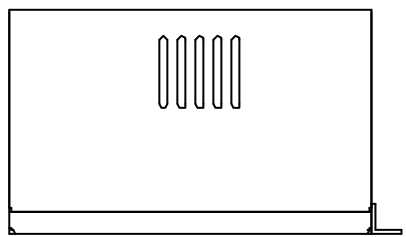
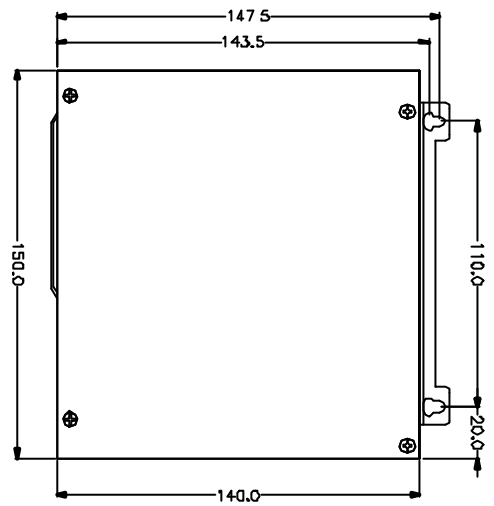
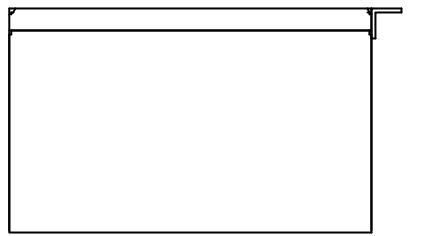
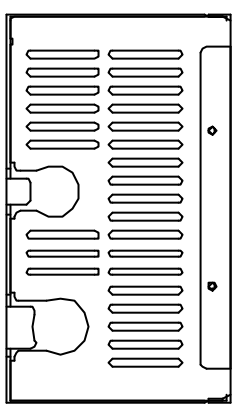
REMARKS: MAX. TOTAL OUTPUT OF +5V AND +3.3V: 145W
N / N : 250W / 300W
* OPTIONAL

SPECIFICATION:

- TEMPERATURE RANGE: OPERATING 0 --- 50 , STORAGE -20 --- 80
- TRANSIENT RESPONSE: OUTPUT VOLTAGE RETURNS IN LESS THAN 1 ms MAX. FOLLOWING 50% LOAD CHANGE
- HOLD UP TIME: 16 ms MINIMUM AT FULL LOAD & NORMAL INPUT VOLTAGE
- DIELECTRIC WITHSTAND: INPUT / OUTPUT 1500 VAC FOR 1 SECOND
INPUT TO FRAME GROUND 1500 VAC FOR 1 SECOND
- HUMIDITY: 8 ~ 80% RH
- EFFICIENCY: 65% TYPICAL, AT FULL LOAD
- POWER GOOD SIGNAL: ON DELAY 100 ms TO 500 ms, OFF DELAY 1 ms
- OVER LOAD PROTECTION: 110 ~ 150% MAX.
- OVER VOLTAGE PROTECTION: **+5V OUTPUT: 5.5V ~ 7.0V;**
+3.3V OUTPUT: 4.0V ~ 4.5V; +12V OUTPUT: 13.5V ~ 15.5V
- SHORT CIRCUIT PROTECTION: EACH CHANNEL
- EMI NOISE FILTER: FCC CLASS B, CISPR22 CLASS B
- SAFETY: UL 1950, CSA 22.2 MP/ 950, TÜV IEC 950
- DIMENSION: **150(D) x 140 (W) x 86(H) mm (PS/2)**
- MTBF: 30000 HOURS
- REMOTE ON / OFF CONTROL
THE UNIT SHALL ACCEPT A LOGIC OPEN COLLECTOR LEVEL WHICH WILL DISABLE / ENABLE ALL THE OUTPUT VOLTAGE (EXCLUDE +5V STANDBY), AS LOGIC LEVEL IS LOW, OUTPUTS VOLTAGE WERE ENABLE,
AS LOGIC LEVEL IS HIGH, OUTPUTS VOLTAGE WERE DISABLE.

The description stated herein is subject to change without prior notice.

圖號 REV. I	圖號 DESCRIPTION	日期 DATE



容許公差:
TOLERANCES:
.XXX ±.025
XX ±.100
X ±.250

材料規格:
MATERIAL:

投影法:
PROJECTION:
第三角法

繪圖者:
DRAWN BY:
檢核者:
CHECK BY:
日期:
DATE:

日期:
DATE:

新巨企業股份有限公司
ZIPPY TECHNOLOGY CORP.
POWER DIVISION

AX2 外觀尺寸圖

圖號: AX20MA01
圖號: AX20MA01
單位: MM
REV. NO: A1
REV. NO: A1
SHEET: A1
SHEET: 0F