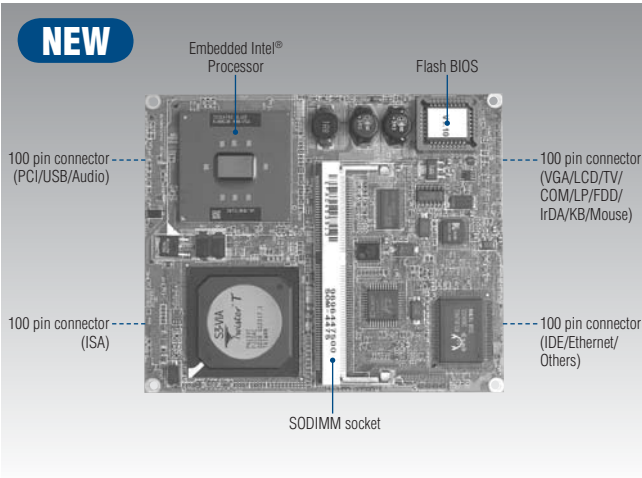


SOM-4475 Series

Intel®-VIA SOM-ETX Module w/
CPU, VGA, LCD/LVDS, Audio, LAN

- 1 System on Module Solutions
- 2 Single Board Computers and Accessories
- 3 PC/104 Modules
- 4 Slot CPU Cards and Accessories
- 5 AIMB/POS Control Boards
- 6 Internet Security Platforms
- 7 Embedded Software
- 8 Apps



Features

- Embedded LV Intel® Pentium® III/ULV Celeron® processor
- Fanless, 0 ~ 60° C operation (SOM-4475F-J0A1 & SOM-4475FL-J0A1)
- ETX form factor
- Powerful multimedia capability
- 18-bit LCD/ 2-channel LVDS interface



Specifications

- **CPU** LV Intel® Pentium® III-933 MHz/ ULV Celeron-650 & 400 MHz
 - **System Memory** SDRAM SO-DIMM x 1, Max. 512 MB (optional 1 GB)
 - **2nd Cache Memory** 512KB on PIII and 256KB on Celeron CPU
 - **System Chipset** VIA 8606 (Twister T)/ 82C686
 - **BIOS** AWARD 256 KB Flash BIOS
 - **Watchdog timer** 1 - 62 sec, system reset
- I/O**
- **MIO** 2 x EIDE (Ultra DMA66), 1 x FDD/LPT, 1 x K/B, 1 x Mouse, 2 x RS-232
 - **IrDA** 115 Kbps, IrDA 1.1 compliant
 - **Audio** VT 82C686 supports AC'97 2.0 compliant, Mic in, Line in, Line out
 - **USB** 4 USB ports, USB 1.1 compliant
- Ethernet**
- **Chipset** RTL 8139
 - **Ethernet Interface** IEEE 802.3u 100BASE-T Fast Ethernet
Built-in boot ROM

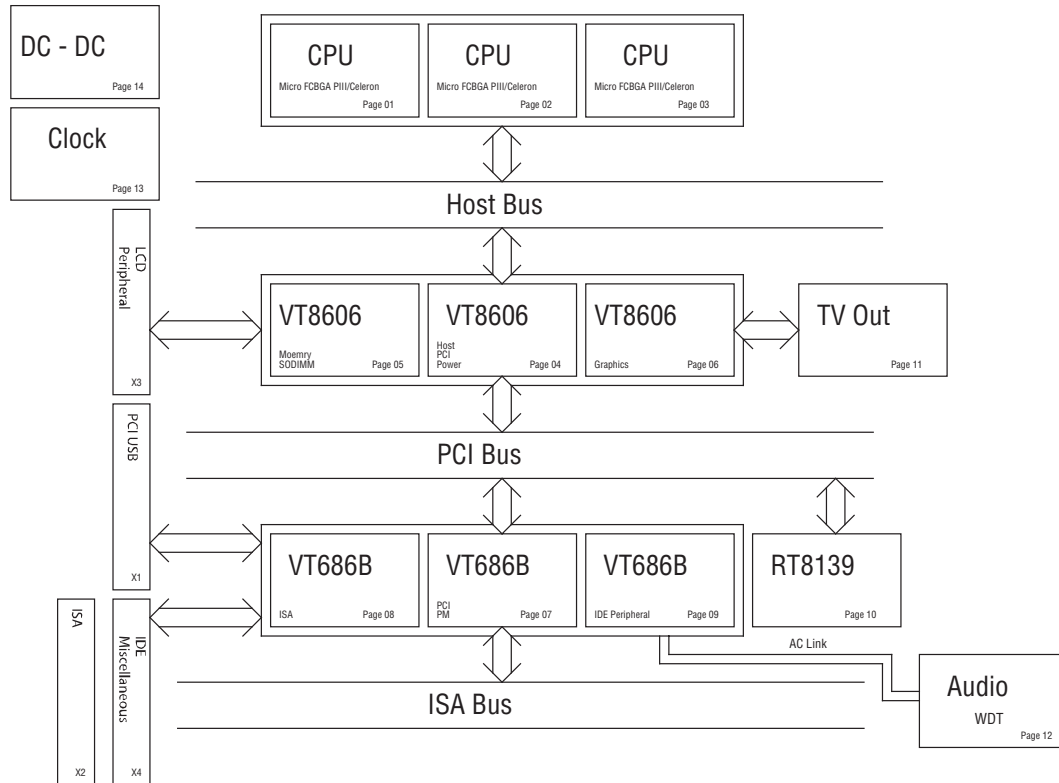
Display

- **Chipset** VIA Twister chip with Integrated S3 Savage4 2D/3D/ Video Accelerator
- **Memory Size** 8/16/32/64 MB frame buffer using system memory
- **Resolution** CRT Mode: 1280 x 1024 @ 16 bpp (60 Hz), 1024 x 768 @ 16 bpp (85 Hz)
LCD/Simultaneous Mode: 1280 x 1024 @ 16 bpp (60 Hz), 1024 x 768 @ 16 bpp (60 Hz)
- **LCD Interface** 4X AGP VGA/LCD interface.Support 18-bit TFT panels up to XGA resolution
- **LVDS Interface** 2 Channel (2x 18-bit) LVDS interface

Mechanical and Environmental

- **Dimensions (L x W)** 95 x 114 mm (3.7" x 4.5")
- **Power Supply Voltage** + 5 V ± 5%
- **Power Requirements** Max: 4.6 V @ 5 V
Typical 3.41 A @ 5 V (PIII 933 MHz + 256 MB DRAM)
Typical 2.95 A @ 5 V (Celeron 650 MHz + 256 MB DRAM)
Typical 2.44 A @ 5 V (Celeron 400 MHz + 256 MB DRAM)
- **Operating Temperature** 0 ~ 60° C (32 ~ 140° F)
- **Operating Humidity** 0% ~ 90% relative humidity, non-condensing system

Board Diagram



Ordering Information

Standard

- **SOM-4475F-R0A1** SOM-ETX w/Intel PIII 933 MHz/VGA/LCD/LAN/Audio
- **SOM-4475F-M0A1** SOM-ETX w/Intel Celeron 650 MHz/VGA/LCD/LAN/Audio
- **SOM-4475F-J0A1** SOM-ETX w/Intel Celeron 400 MHz/VGA/LCD/LAN/Audio
- **SOM-4475FL-R0A1** SOM-ETX w/Intel PIII 933 MHz/VGA/LVDS/LAN/Audio
- **SOM-4475FL-M0A1** SOM-ETX w/Intel Celeron 650 MHz/VGA/LVDS/LAN/Audio
- **SOM-4475FL-J0A1** SOM-ETX w/Intel Celeron 400 MHz/VGA/LVDS/LAN/Audio
- **SOM-DK4475F-C01** Windows CE3.0 Development Kit for SOM-4475F
- **SOM-DK4475F-042** Windows CE.NET 4.2 Development Kit for SOM-4475F
- **SOM-DB4400-00A2** SOM-ETX Development Board Rev. A2

Optional

- **SOM-FANKIT-1000** Fan Kit for SOM-ETX Module