

*Data Sheet*

# AIRCRAFT ANTENNA LIGHTNING ARRESTER PART NO. 1912-05

Controlling Specifications

National Stock Number (NSN)

Spark Gap Voltage, 2 MHz

Insulation Withstand at Max Altitude

Maximum Altitude

Frequency Range

Maximum RF Current, 2 MHz

Capacitor Withstand Voltage

Maximum Shunt Capacitance

Lightning Stroke Discharge Capacity

Maximum Weight

Temperature Range, operating

Arrester Schematic

Boeing (Cage 94756) 13713-899-11

MIL-A-9094C

5920-01-425-7496

10.0 ±1.0 kVpk

11.0 kVpk

50,000 feet

LF - 36 MHz

15 A rms

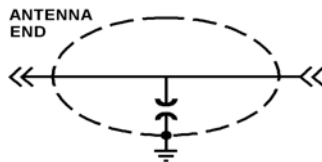
26 kVdc

18.0 pF

12 Strokes (MIL-A-9094C)

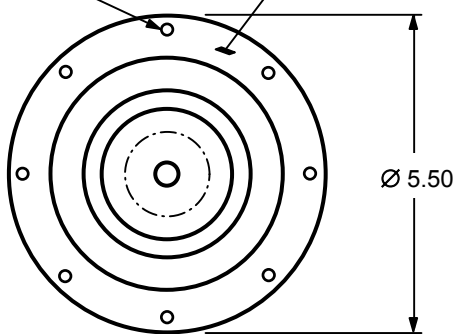
4.0 lbs

-55 to +125C



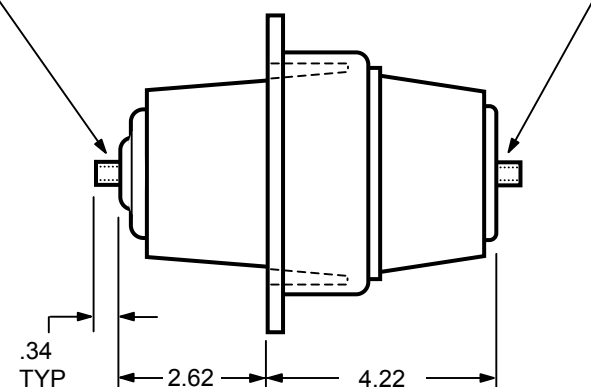
Ø .196 HOLES  
 EQUALLY SPACED  
 ON 5.00 B.C.

MOUNTING  
 FLANGE  
 CADMIUM PLATED



ANTENNA TERMINAL  
 3/8-24 UNF-2A  
 CADMIUM PLATED

EQUIP. TERMINAL  
 3/8-24 UNF-2A  
 CADMIUM PLATED



FOR MOUNTING AND SEALING ARRESTER TO THE ANTENNA  
 MAST, THESE ITEMS MAY BE ORDERED SEPARATELY:  
 24004-10 SMALL SEALING GASKET  
 24018 LARGE SEALING GASKET  
 35749 SEALING PLATE