

## 2.5" SATA III SSD

---



### SSD420K/420I (MLC)

Featuring the latest SATA III 6Gb/s interface and a powerful controller, Transcend SSD420K/SSD420I are the ideal high-speed, lightweight and shockproof replacement for traditional rotating hard drives. With built-in Intelligent Power Shield (IPS), Transcend SSD420K provides extra protection to data integrity against sudden power failure or blackouts, whereas SSD420I has wider operating temperature allowing perfect functionality and reliability in extreme temperatures.

---

### Features

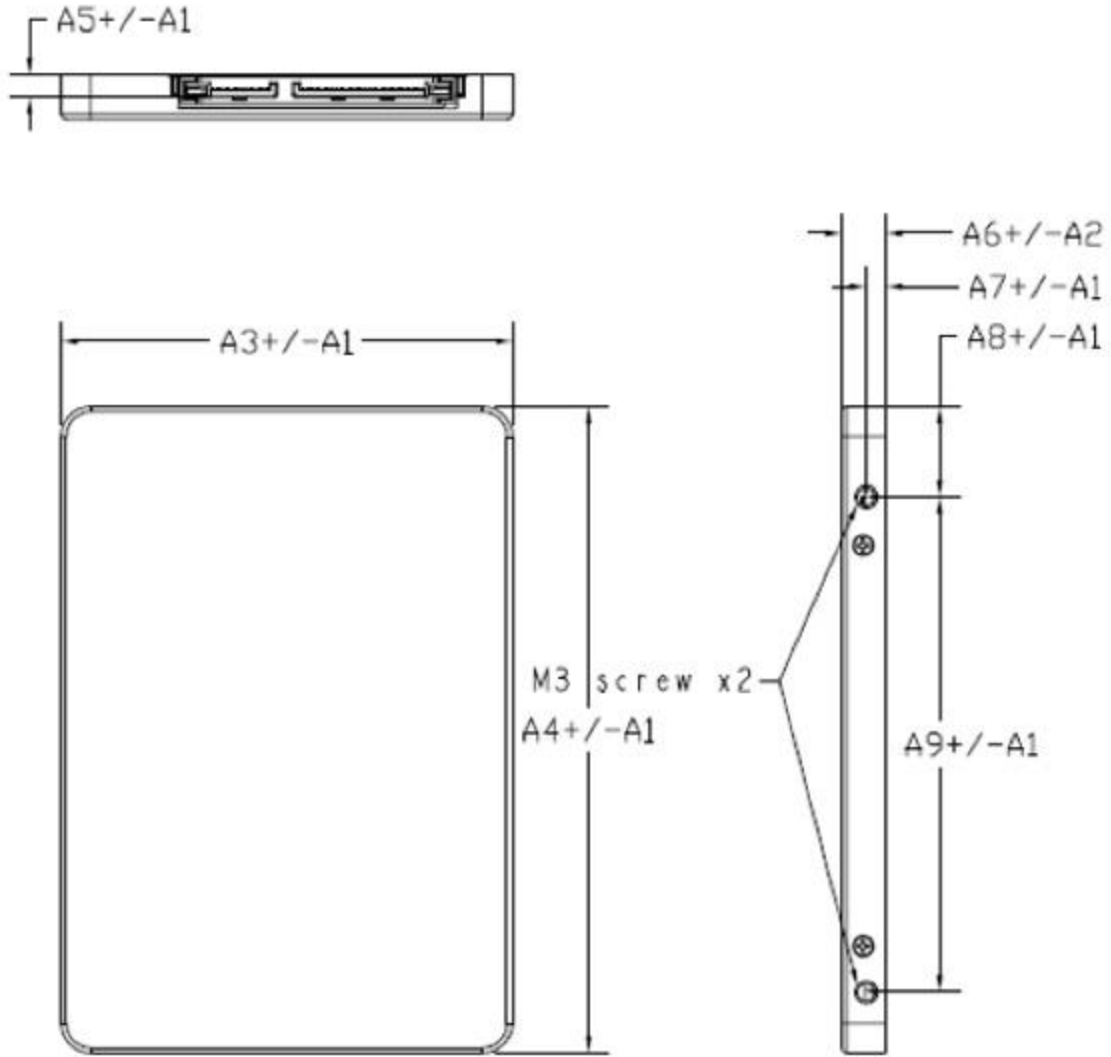
- Advanced Global Wear-Leveling and Block management for reliability

- Advanced Garbage Collection
- DDR3 DRAM Cache embedded
- Built-in ECC (Error Correction Code) functionality
- Power shield to prevent data loss in the event of a sudden power outage
- DEVSLP mode
- Enhanced S.M.A.R.T. function
- RoHS compliant
- Shock resistance
- Slim, elegant and lightweight design



---

## Specifications



Interface (connector)

SATA III 6Gb/s

Form Factor	2.5"
Flash Type	MLC
Capacity(GB)	SSD420K: 32GB / 64GB / 128GB / 256GB / 512GB / 1TB SSD420I: 64GB / 128GB / 256GB
Max. R/W Performance(MB/s) (Vary by density)	Read: 560MB/s Write: 320MB/s
Op. Voltage(V)	5V±5%
Power Consumption(W)	3.46W (Active), 0.3W (Idle)
Op. Temp.(°C)	SSD420K: 0°C~70°C SSD420I: -40°C~85°C
Storage Temp.(°C)	-40°C~85°C
Humidity(%)	0%~95%

## Order Information

**32GB**

- TS32GSSD420K Aluminum case

**64GB**

- TS64GSSD420K Aluminum case
- TS64GSSD420I Iron case
- TS64GSSD420 Iron case

**128GB**

- TS128GSSD420K Aluminum case
- TS128GSSD420I Iron case
- TS128GSSD420 Iron case

**256GB**

- TS256GSSD420 Iron case
- TS256GSSD420I Iron case
- TS256GSSD420K Aluminum case

**512GB**

- TS512GSSD420K Aluminum case

**1TB**

- TS1TSSD420K Aluminum case