



SSD630 (MLC)

To meet the demands of industrial grade specifications and ensure the utmost level of quality, Transcend SSD630 with MLC NAND flash embedded undergoes extensive tests in sustained reliability. Featuring Advanced Power Shield function, Transcend SSD630 provides extra protection to data integrity against sudden power failure or blackouts, which is ideal for industrial use and mission-critical applications.

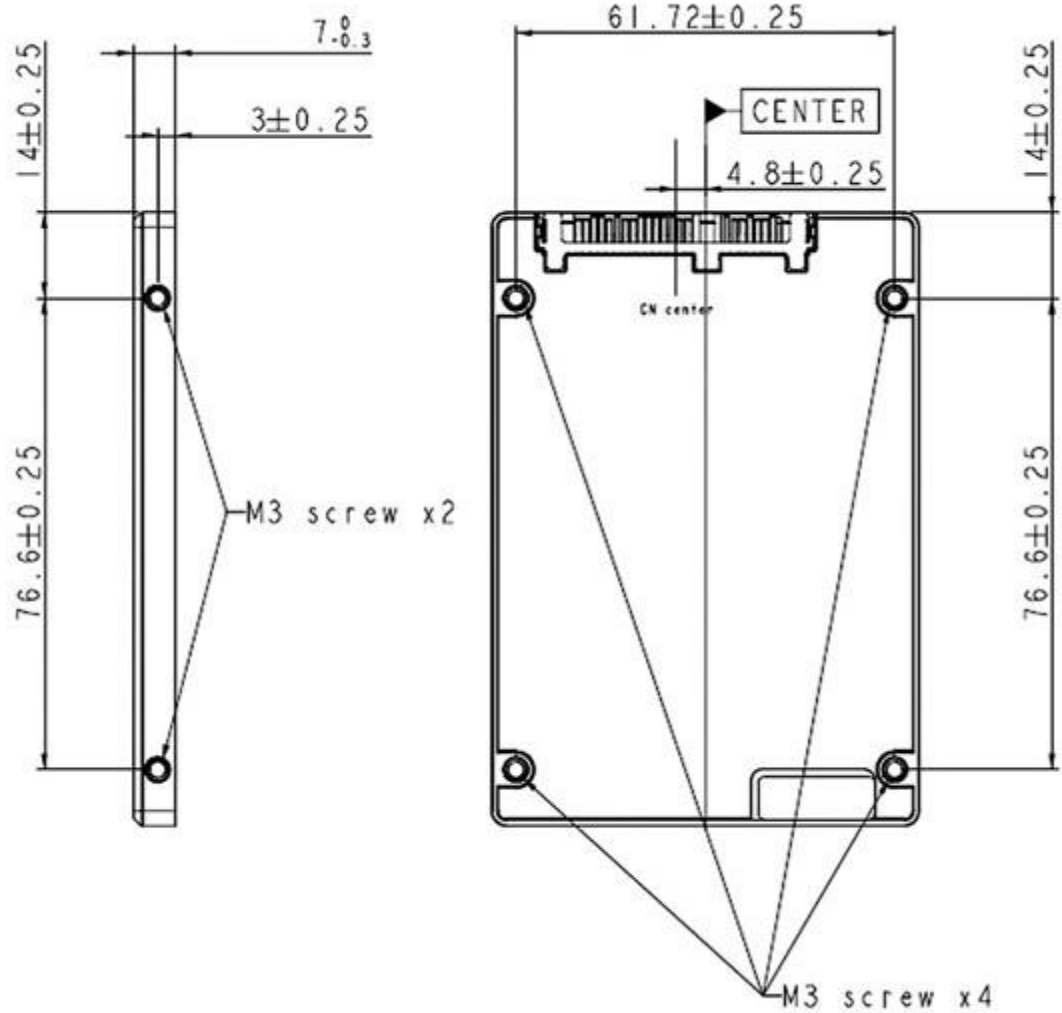
Features

- RoHS compliant
- Power shield to prevent data loss in the event of a sudden power outage
- Built-in ECC (Error Correction Code) functionality and wear-leveling algorithm ensures highly reliable of data transfer
- Supports Advanced Garbage Collection

- Supports Enhanced S.M.A.R.T. function
- DRAM Cache embedded
- Provides great shock resistance



Specifications



Interface (connector) SATA II 3Gb/s

Form Factor 2.5"

Flash Type MLC

Capacity(GB) 16GB/ 32GB / 64GB / 128GB / 256GB

Max. R/W Read: 260MB/s
 Performance(MB/s)(Vary

by density)	Write: 225MB/s
Op. Voltage(V)	5V±5%
Power Consumption(W)	3.67W (Active), 0.55W (Idle)
Op. Temp.(°C)	0°C~70°C
Storage Temp.(°C)	-40°C~85°C
Humidity(%)	0%~95%
Shock(G)	1500 G, 0.5ms
Vibration(Hz/G)	5.0G (Peak-to-Peak), 5Hz to 800Hz (Frequency)
Dimensions(mm)	99.8mm × 69.8mm × 7mm
Weight(g)	48g
MTBF(hours)	1,000,000 hours
Warranty	Three-year Limited Warranty *(The 3-year warranty does not apply when SSD Scope's wear-out indicator shows 0% within 3 years) *Please access here for more information about Transcend Warranty Policy.